

RSR

Shunt Resistor

Power converters and current measurement instruments. Large current shunt resistor for ampere-meters, designed for standard current measurement of electric equipment. Easy current measurement is performed by attaching to current bus bar directly and connecting to ampere-meter through flexible wires.

- This products (0.1%, 0.2%, 0.5%, and 1.0%) must be ordered separately
- The 60mV Product must be ordered separately

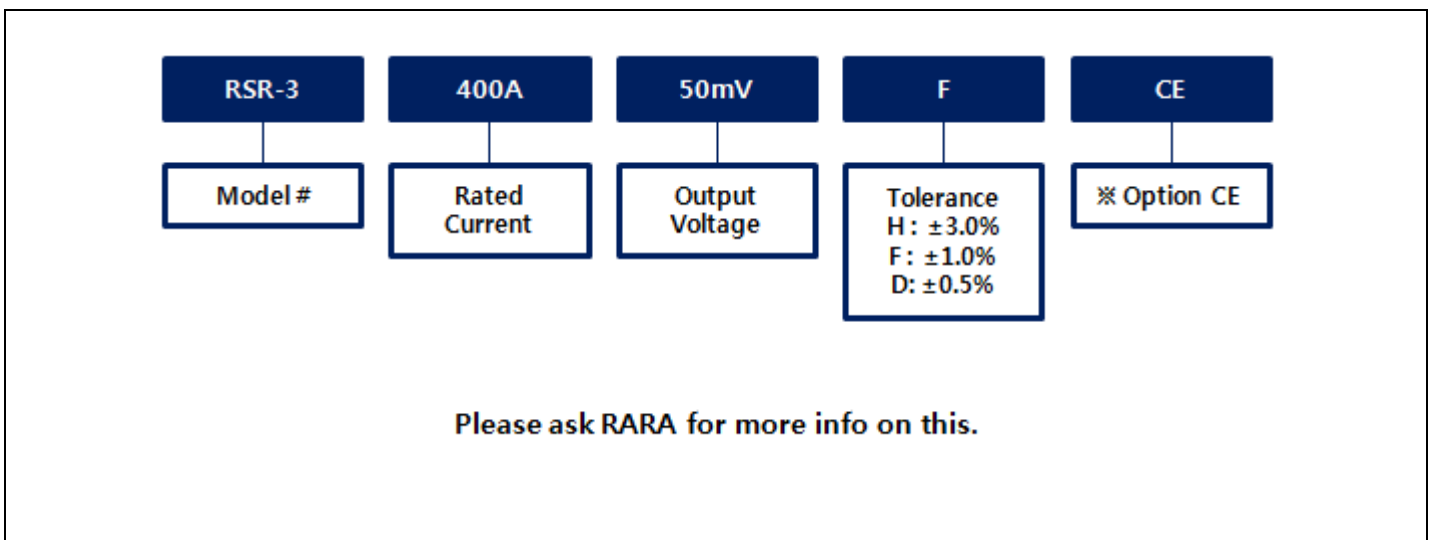


■ GENERAL SPECIFICATIONS

Model	RSR-1				RSR-2			RSR-3				RSR-4				RSR-5		RSR-6	
Rated Current [A]	10	15	20	30	100	120	150	400	500	600	750	1000	1200	1500	2000	2500	3000	4000	5000
	40	50	60	75	200	250	350												
Output Voltage [V]	50.0mV or 60.0mV																		
Accuracy	Standard 3.0% (Option 1.0%, 0.5%)																		
Insulation Resistance	Over 10 MΩ				None														
Dielectric Strength	2000V for 1minute.				None														

※ Also available in extended rated current of 4000A to 15000A. Please ask RARA for more info on this.

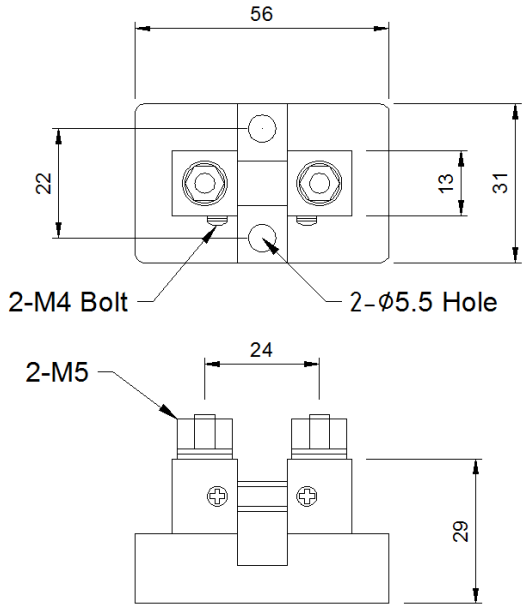
■ ORDERING PROCEDURE EXAMPLE



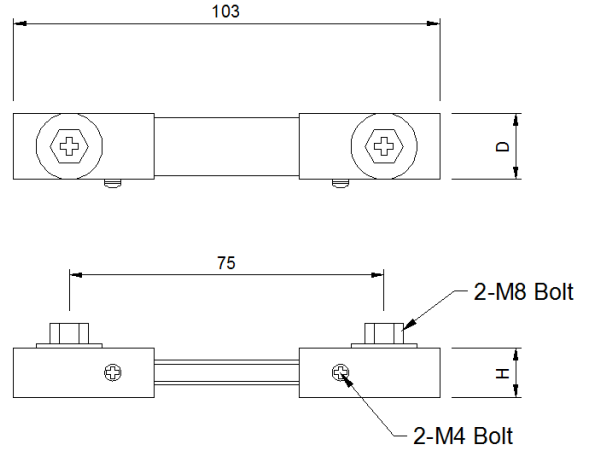
■ DIMENSIONS (Output 50mV, 60mV Standard)

Unit : mm

RSR-1

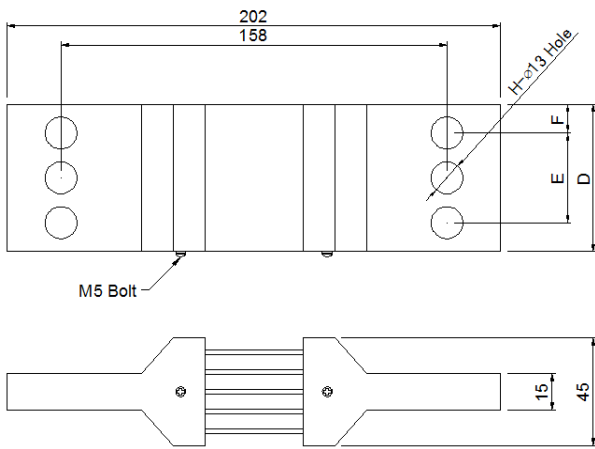


RSR-2



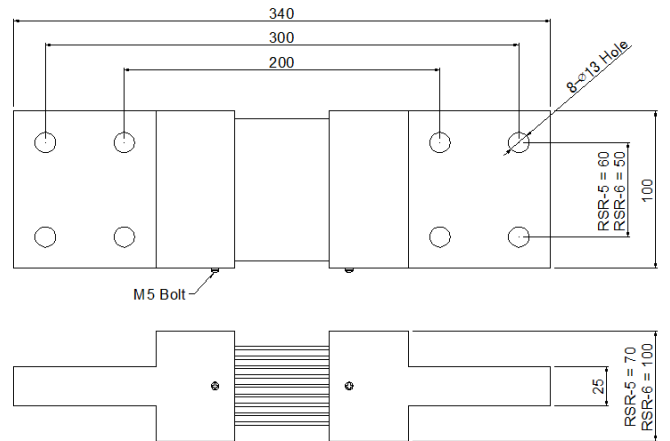
Model	RSR-2	
전류	100A	120A~350A
치수		
D	16	23
H	12	17

RSR-3, 4



Model	RSR-3				RSR-4			
전류	400A	500A	600A	750A	1000A	1200A	1500A	2000A
치수								
D	40	50	50	60	70	80	90	100
E	0	0	0	30	30	40	30	30
F	20	25	25	15	20	20	15	20
H	2	2	2	4	4	4	6	6

RSR-5, 6



* Other tolerance : \pm 3mm