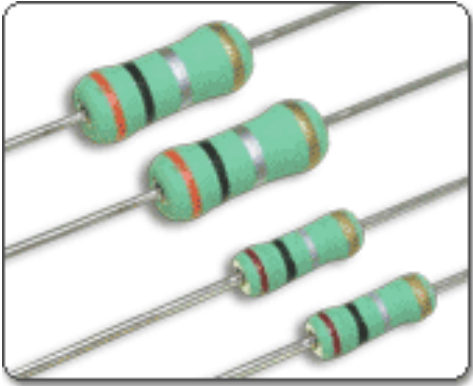
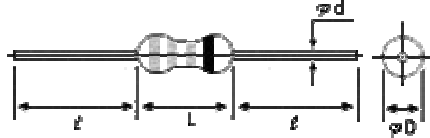


RS[MOR] 산화금속피막 고정저항기

FIXED METAL OXIDE FILM RESISTORS (FLAMEPROOF)



■ 촌 법 DIMENSIONS



형 명 Type	촌 법 Dimensions [mm]			
	L±1	D	d±0.05	ℓ±2
MOR 1/2 MORS 1	9	3.3±0.5	0.8	32
MOR 1 MORS 2	11	3.8±0.5	0.8	31
MOR 2 MORS 3	15	5.5±1.0	0.8	29
MOR 3 MORS 5	24	8.0±1.0	0.8	29

■ 일반규격 GENERAL SPECIFICATIONS

형 명 Type	정격전력 Rated Wattage	최고사용전압 Max. Working Voltage	최고과부하전압 Max. Overload Voltage	사용온도범위 Operating Temp. Range	저항치범위 Resistance Range	저항치허용차 Resistance Tolerance
MOR 1/2	0.5W	250V	400V	-55°C ~ +200°C	10Ω ~ 68kΩ	±2(G) ±5 (J)
MOR 1	1W	350V	600V		10Ω ~ 100kΩ	
MOR 2	2W	350V	700V		10Ω ~ 180kΩ	
MOR 3	3W	500V	800V		10Ω ~ 180kΩ	
MORS 1	1W	350V	600V		10Ω ~ 68kΩ	
MORS 2	2W	350V	700V		10Ω ~ 100kΩ	
MORS 3	3W	400V	800V		10Ω ~ 180kΩ	
MORS 5	5W	500V	1000V		10Ω ~ 180kΩ	

■ 특 성 CHARACTERISTICS

Test	Conditions
1. 온도계수 Temperature coefficient	± 350ppm/°C
2. 단자강도 Terminal Strength	±[1.0% + 0.05Ω]
3. 내전압 Dielectric Withstanding Voltage	±[1.0% + 0.05Ω]
4. 단시간과부하 Short Time Overload	±[1.0% + 0.05Ω]
5. 내구성 Load Life	±[5.0% + 0.05Ω]
6. 내습성 Moisture Resistance	±[5.0% + 0.05Ω]

■ 주문방법 HOW TO ORDER

<u>MOR</u>	<u>2W</u>	<u>50Ω</u>	<u>J</u>	<u>TP</u>
1	2	3	4	5

1. 형 명 Type
2. 정격전력 Rated Wattage
3. 저항치 Resistance
4. 허용오차 Tolerance
5. 2 차가공 (TP= Taping & MF=M-Forming)

■ DERATING CURVE & TEMPERATURE RISE CURVE

