

# CR 시멘트고정저항기 CEMENT FIXED RESISTORS

## ■ 일반규격 GENERAL SPECIFICATIONS

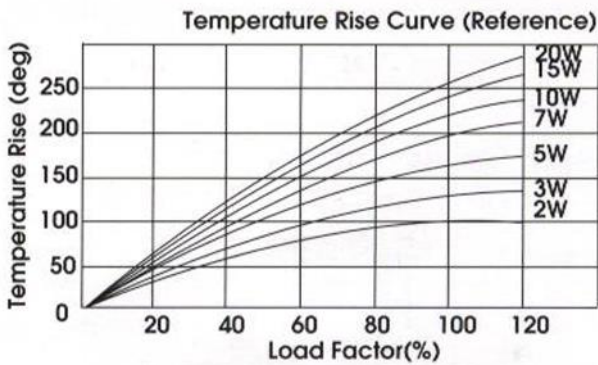
- ▶ Tolerance : ±10% Standard, ±5% Also Available
- ▶ Max. Working Voltage :  $E = \sqrt{PR}$

## ■ 특 성 CHARACTERISTICS

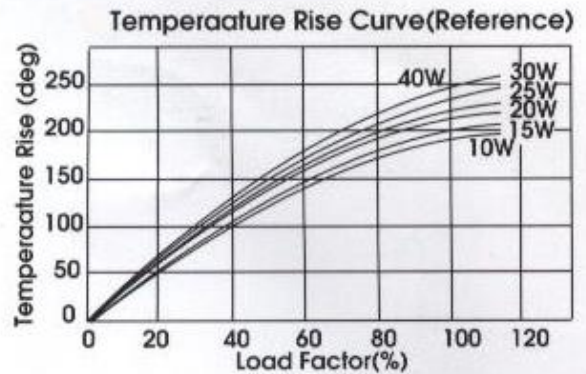
Test	Conditions & Test method	
1. 사용온도범위 <b>Operating Temp. Range</b>	-40°C~ +155°C.	
2. 온도계수 <b>Temperature coefficient</b>	$\geq 20\Omega \pm 260\text{ppm}/^\circ\text{C}$ Maximum. $< 20\Omega \pm 400\text{ppm}/^\circ\text{C}$ Maximum.	
3. 절연저항 <b>Insulation Resistance</b>	20M $\Omega$ Minimum.	
4. 내전압 <b>Dielectric Withstanding Voltage</b>	$\pm[1.0\% + 0.05\Omega]$	AC500V 1minutes.
5. 단시간과부하 <b>Short Time Overload</b>	$\pm[2.0\% + 0.05\Omega]$	5×wattage rating- 5seconds.
6. 내구성 <b>Load Life</b>	$\pm[5.0\% + 0.05\Omega]$	Wattage rating 1.5hrs.-on, 30min-off, 1000hrs.
7. 내습성 <b>Moisture Resistance</b>	$\pm[3.0\% + 0.05\Omega]$	40°C, 95%RH, 0.1×wattage rating, 1.5hrs.-on, 30min-off, 500hrs.
8. 단자강도 <b>Terminal Strength</b>	$\pm[1.0\% + 0.05\Omega]$	Pull-1kgf, Bent-1kgf (30secs-2cycles).
9. 열충격 <b>Thermal Shock</b>	$\pm[2.0\% + 0.05\Omega]$	350 ±5°C, 2 hours.
10. 내진성 <b>Vibration</b>	$\pm[2.0\% + 0.05\Omega]$	X-2 hours, Y-2 hours.
11. 납내열성 <b>Resistance to soldering heat</b>	$\pm[5.0\% + 0.05\Omega]$	350°C± 10°C, 3.5s.

## ■ 온도상승곡선 TEMPERATURE RISE CURVE

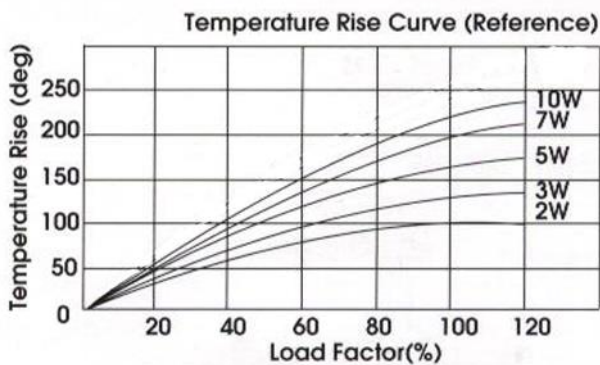
### ▶ RQA TYPE



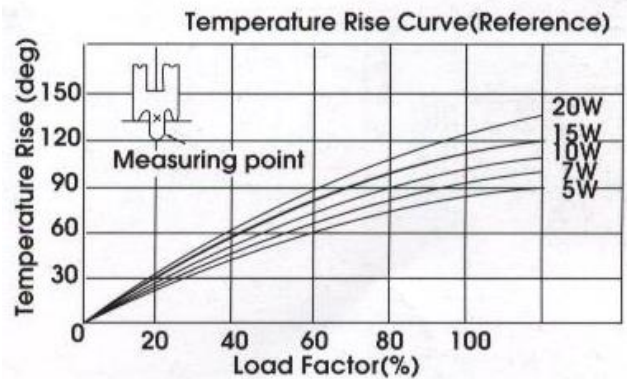
### ▶ RQL TYPE



### ▶ RQR TYPE

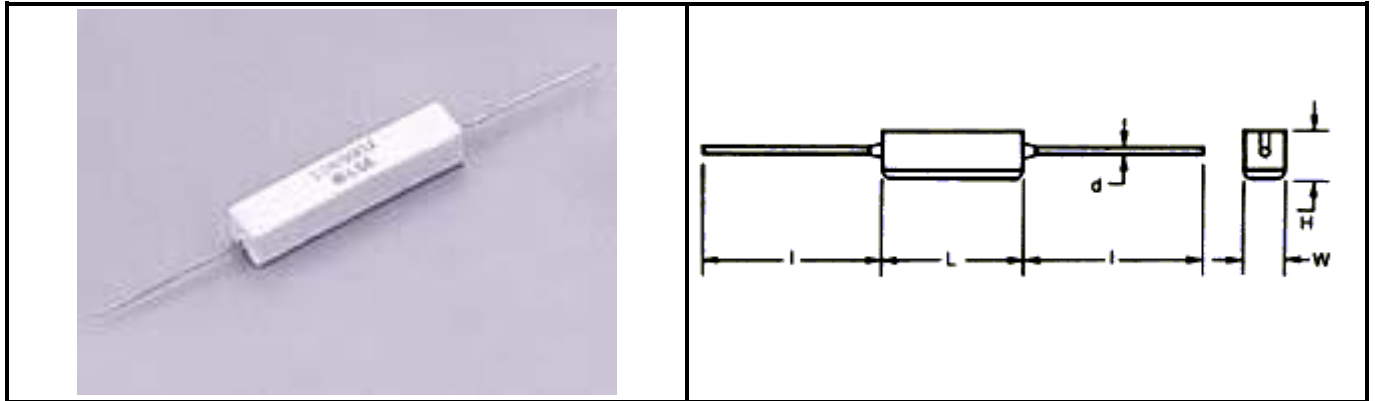


### ▶ RQB TYPE



# CR 시멘트고정저항기 CEMENT FIXED RESISTORS

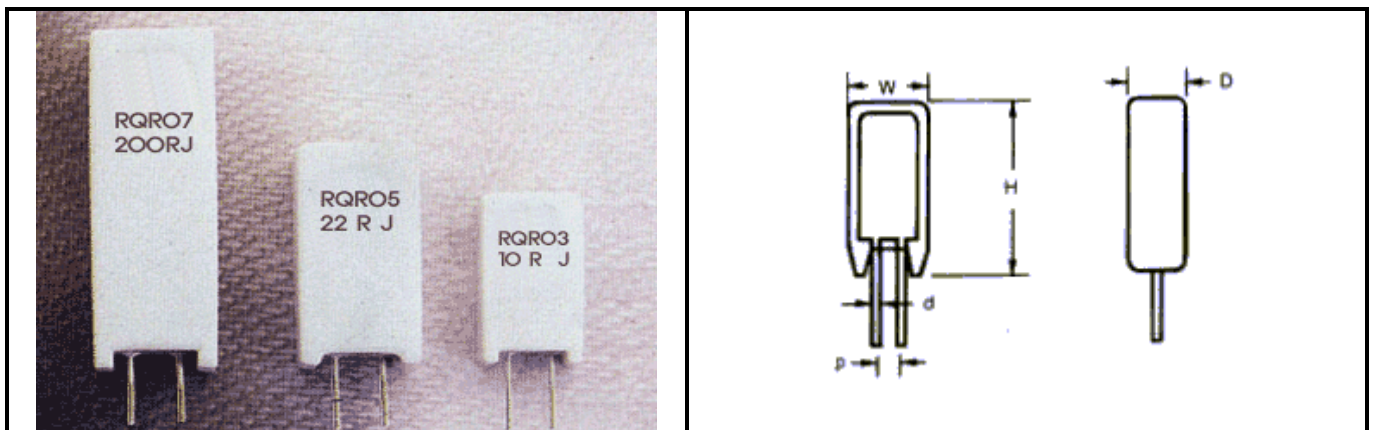
## <RQA TYPE>



### ■ 일반규격 및 촌법 GENERAL SPECIFICATIONS & DIMENSIONS

형 명 Type	정격전력 Rated Wattage	저항치범위 Resistance Range			촌 법 Dimensions [mm]				
		Glass core	MOR core	Ceramic core	L±1.5	W±1	H±1	l±Min	d±0.02
RQA 02	2W	0.1 ~ 50Ω	50.1~20kΩ	0.1 ~ 8kΩ	17.5	6.4	6.5	30	0.8
RQA 03	3W	0.1~150Ω	150.1~100kΩ	0.1~18kΩ	22.0	8.0	8.0	30	0.8
RQA 05	5W	0.1~150Ω	150.1~100kΩ	0.1~18kΩ	22.0	9.5	9.0	30	0.8
RQA 07	7W	0.1~200Ω	200.1~100kΩ	0.1~18kΩ	35.0	9.5	9.0	30	0.8
RQA 10	10W	0.1~300Ω	300.1~200kΩ	0.1~36kΩ	48.0	9.5	9.0	30	0.8
RQA 15	15W	0.1~300Ω	300.1~200kΩ	0.1~36kΩ	48.0	12.5	12.5	30	0.8
RQA 20	20W	0.1~500Ω	500.1~300kΩ		63.5	12.5	12.5	30	0.8

## <RQR TYPE>



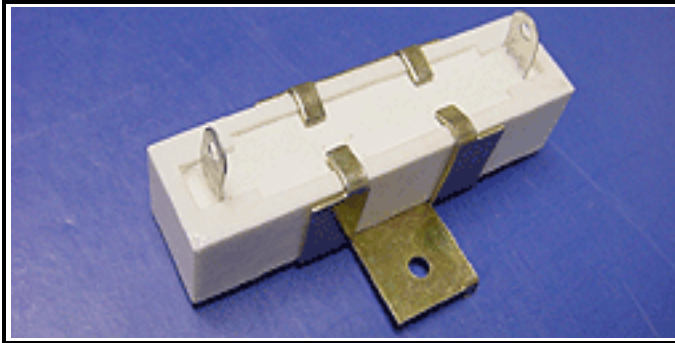
### ■ 일반규격 및 촌법 GENERAL SPECIFICATIONS & DIMENSIONS

형 명 Type	정격전력 Rated Wattage	저항치범위 Resistance Range			촌 법 Dimensions [mm]				
		Glass core	MOR core	Ceramic core	H±1.5	W±1	D±1	P±1	d±0.02
RQR 02	2W	0.1 ~ 50Ω	50.1~20kΩ	0.1 ~ 5kΩ	20.5	11.0	7.0	5	0.8
RQR 03	3W	0.1~150Ω	150.1~100kΩ	0.1~15kΩ	25.0	12.0	8.0	5	0.8
RQR 05	5W	0.1~150Ω	150.1~100kΩ	0.1~15kΩ	25.5	13.0	9.0	5	0.8
RQR 07	7W	0.1~220Ω	220.1~100kΩ	0.1~15kΩ	38.5	13.0	9.0	5	0.8
RQR 10	10W	0.1~220Ω	220.1~200kΩ	0.1~30kΩ	35.0	16.0	12.0	5	0.8

# CR 시멘트저항기 CEMENT RESISTORS

## <RQL TYPE>

### ■ 일반규격 GENERAL SPECIFICATIONS



형 명 Type	정격전력 Rated Wattage	저항치범위 Resistance Range
RQL 10	10W	0.1 ~ 500Ω
RQL 15	15W	0.1 ~ 500Ω
RQL 20	20W	0.1 ~ 600Ω
RQL 25	25W	0.1 ~ 700Ω
RQL 30	30W	0.1 ~ 5kΩ
RQL 40	40W	0.1 ~ 10kΩ

### ■ 촌법 DIMENSIONS

#### g-style

#### b-style

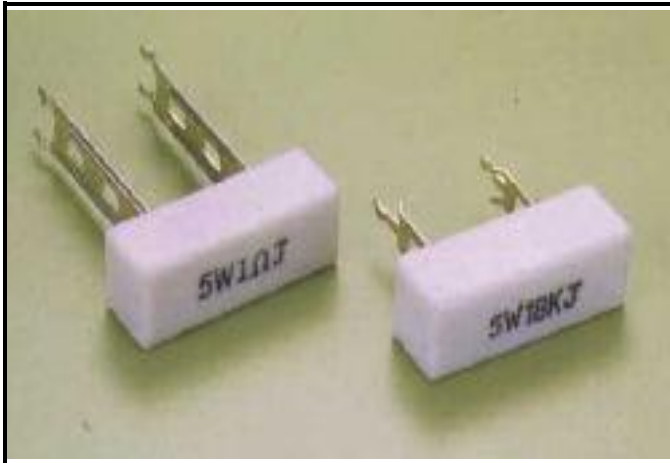
#### s-style

#### t-style

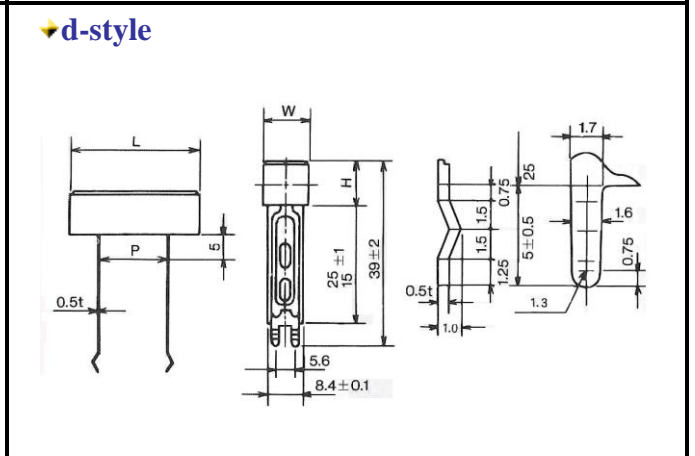
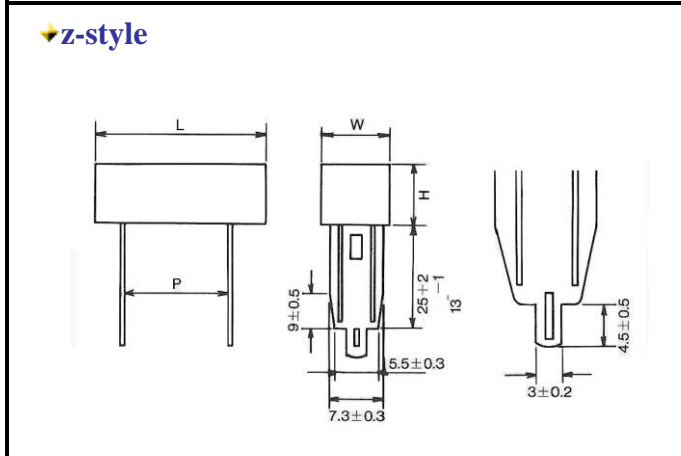
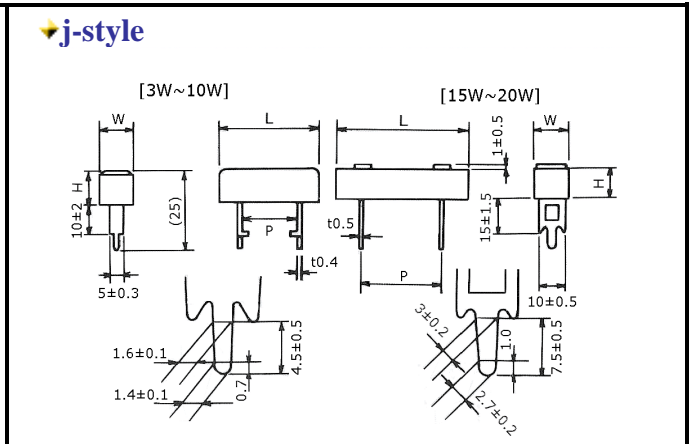
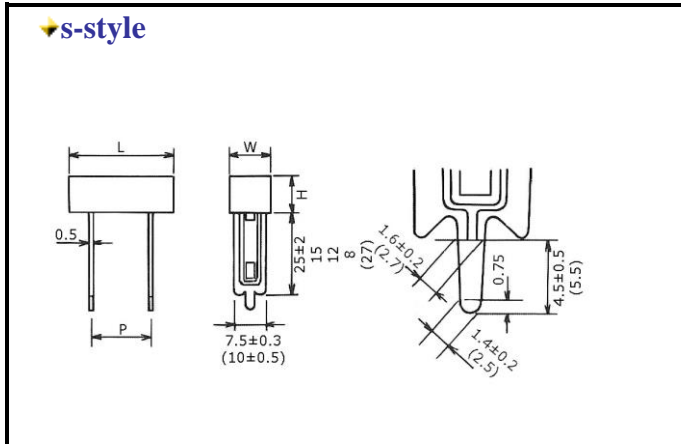
형 명 Type	촌법 Dimensions [mm]													
	L1±2.5	L2	W1±1.2	W2±0.2	W3±0.2	W4±0.2	H1±1.5	H2±2	H3±0.2	H4±1.5	H5±0.2	H6±0.2	H7±2.5	H8±2
RQL 10	48	36-2	9.5	5.0	12	4.75	9.5	6.0	0.8	16.5	3.2	6.35	20.8	10
RQL 15	48	34-2	12.5	6.0	12	4.75	12.5	7.5	1.0	21	3.2	6.35	25.5	12
RQL 20	63	49.5-3	12.5	6.0	12	4.75	12.5	7.5	1.0	21	3.2	6.35	25.5	12
RQL 25	62	46.5-3	16	7.5	12	-	16	12	1.0	29	-	-	-	-
RQL 30	76	56-4	19	7.5	18	6.35	19	10	1.0	30	4.0	7.95	35.5	15.5
RQL 40	90	71-4	19	7.5	18	6.35	19	10	1.0	30	4.0	7.95	35.5	15.0
형 명 Type	촌법 Dimensions [mm]													
	P1±0.2	P2±0.2	P3±3	∅1±2.5	∅2±1.5	G1±2	G2±2	h1φ	h2φ	t1±0.1	t2±0.1	t3±0.1	R	
RQL 10	6	8	-	-	-	5.5	-	2.0	4.0	0.4	0.6	0.5	Φ 13	
RQL 15	6	8	28	56	43	6.5	8	2.5	4.0	0.5	0.8(0.6)	0.5	0.65	
RQL 20	6	8	28	63.5	43	6.5	-	2.5	4.0	0.5	0.8(0.6)	0.5	0.65	
RQL 25	6	10	-	-	-	8.0	-	3.0	4.2	0.5	0.8	-	-	
RQL 30	8	10	39	82.5	64	9.0	7.5	3.0	4.2	0.5	0.8	0.8	0.825	
RQL 40	8	10	39	90	64	9.0	-	3.0	4.2	0.5	0.8	0.8	0.825	

# CR 시멘트저항기 CEMENT RESISTORS

## <RQB TYPE>



### ■ 촌법 DIMENSIONS



### ■ 일반규격 GENERAL SPECIFICATIONS

형 명 Type	정격전력 Rated Wattage	저항치범위 Resistance Range		촌법 Dimensions [mm]			
		Glass core	MOR core	L±1.5	W±1.2	H±1.2	P±1.5
RQB 05	5W	0.1~300Ω	301~100kΩ	27.0	9.5	9.5	15.0
RQB 07	7W	0.1~400Ω	401~100kΩ	35.0	9.5	9.5	22.5
RQB 10	10W	0.1~500Ω	501~100kΩ	48.0	9.5	9.5	35.0
RQB 15	15W	0.1~500Ω	501~100kΩ	48.0	12.5	12.5	32.5
RQB 20	20W	0.1~600Ω	601~200kΩ	63.5	12.5	12.5	47.5

